

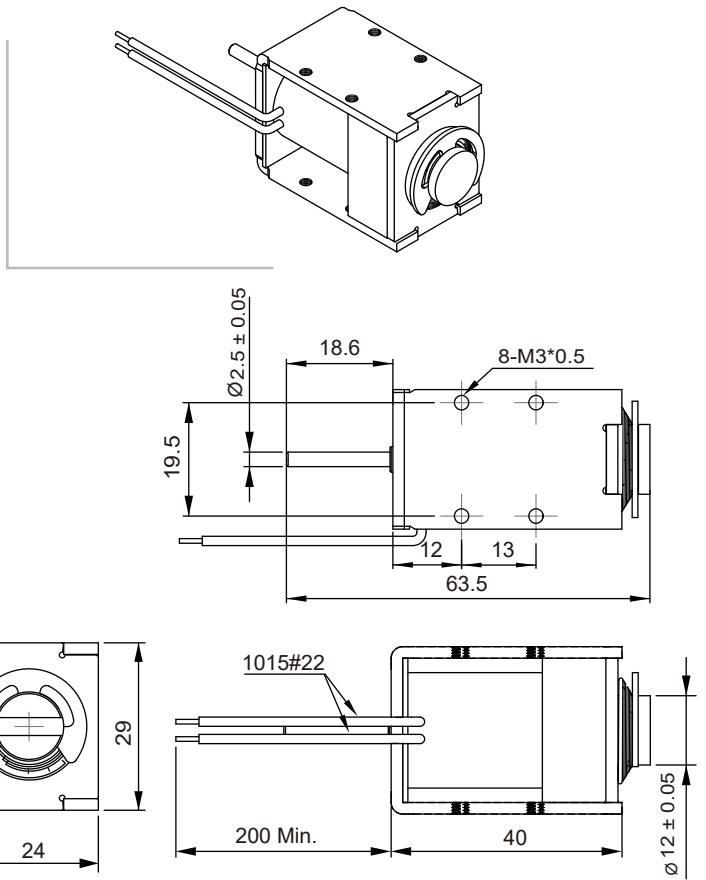
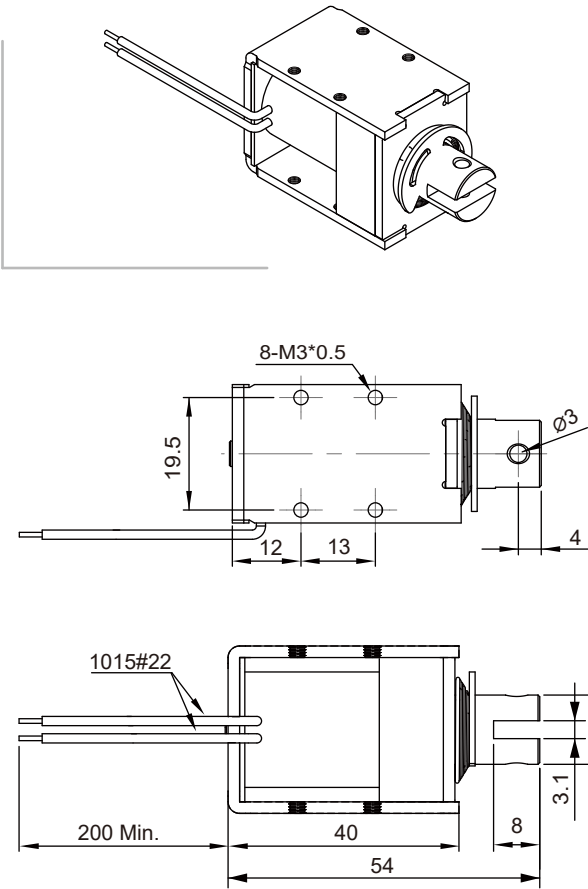


SH-K1240 Permanent Magnet Solenoid

Unit : mm
Shown energized

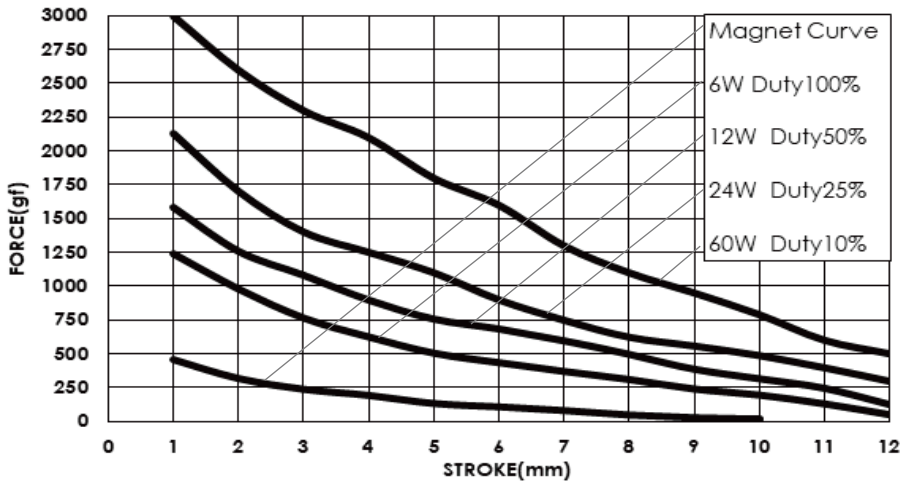
PULL TYPE

PUSH TYPE



Total Weight : 130 g

DATA FORCE



COIL DATA

Duty cycle(%)	$= \frac{\text{"ON" time}}{\text{"ON" time} + \text{"OFF" time}} \times 100\%$	Continuous (100%)	Intermittent (50%)	Intermittent (25%)	Intermittent (10%)
Watts at 20°C		6	12	24	60
MAX. "ON" time in seconds		∞	60	30	10
Type no.	Resistance(20°C)±10%	DC Volts			
SH-K1240S/L-06V	6	4.2	6	8.5	13.4
SH- K1240S/L-12V	24	8.5	12	17	26.8
SH- K1240S/L-24V	96	17	24	34	53.7
SH- K1240S/L-48V	384	33.9	48	67.8	107.3