

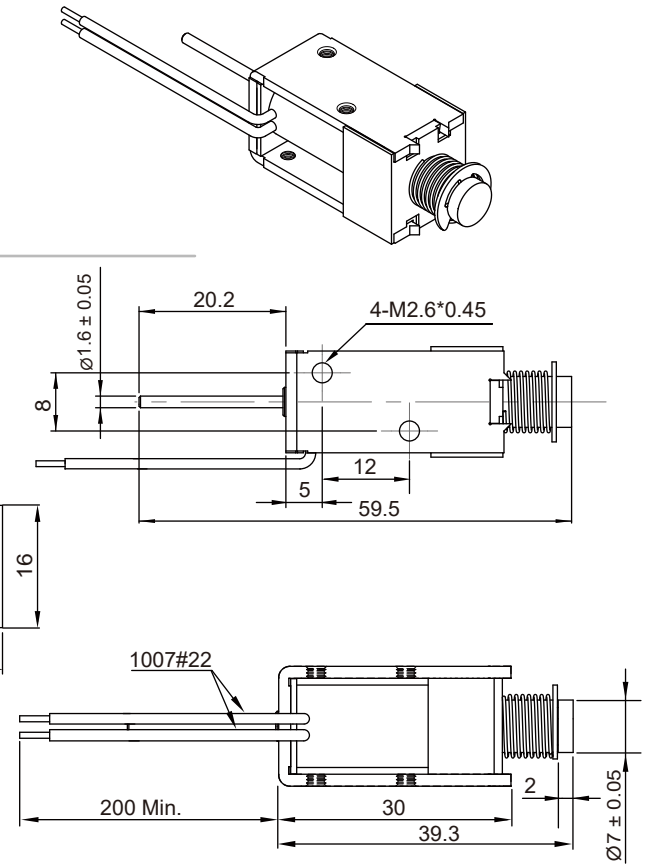
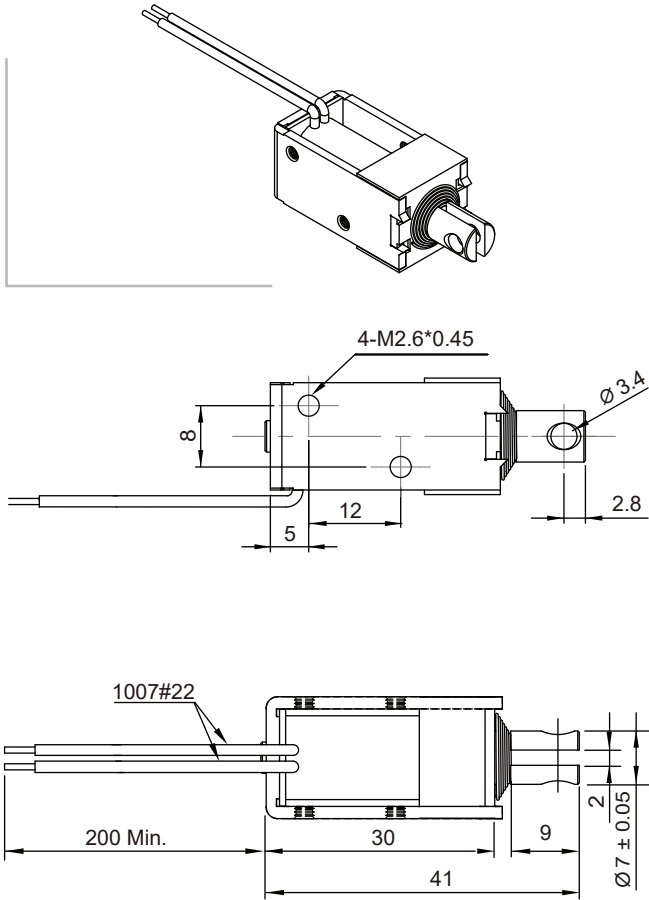


SH-K0730 Permanent Magnet Solenoid

Unit : mm
Shown energized

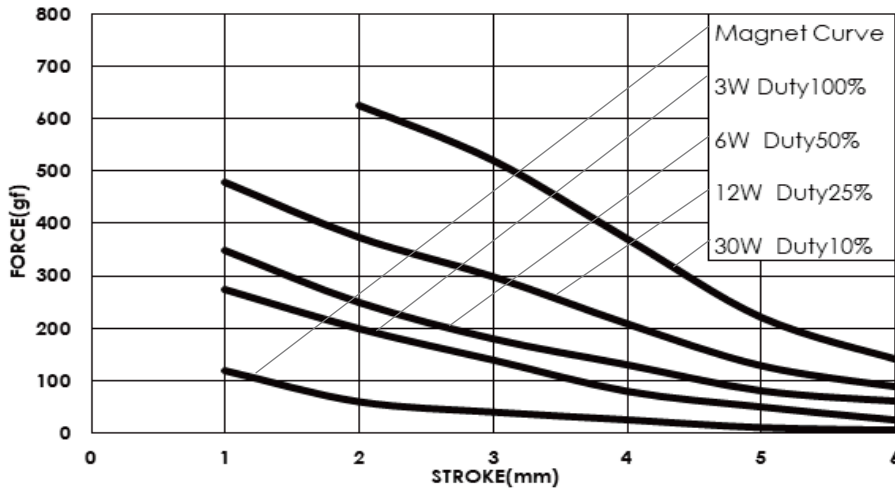
PULL TYPE

PUSH TYPE



Total Weight : 35 g

DATA FORCE



COIL DATA

Duty cycle(%) = $\frac{\text{"ON" time}}{\text{"ON" time} + \text{"OFF" time}} \times 100\%$		Continuous (100%)	Intermittent (50%)	Intermittent (25%)	Intermittent (10%)
Watts at 20°C		3	6	12	30
MAX. "ON" time in seconds		∞	50	25	8
Type no.	Resistance(20°C)±10%	DC Volts			
SH-K0730S/L-06V	12	4.2	6	8.5	13.4
SH- K0730S/L-12V	48	8.5	12	17	26.8
SH- K0730S/L-24V	192	17	24	34	53.7
SH- K0730S/L-48V	768	34	48	67.9	107.3