

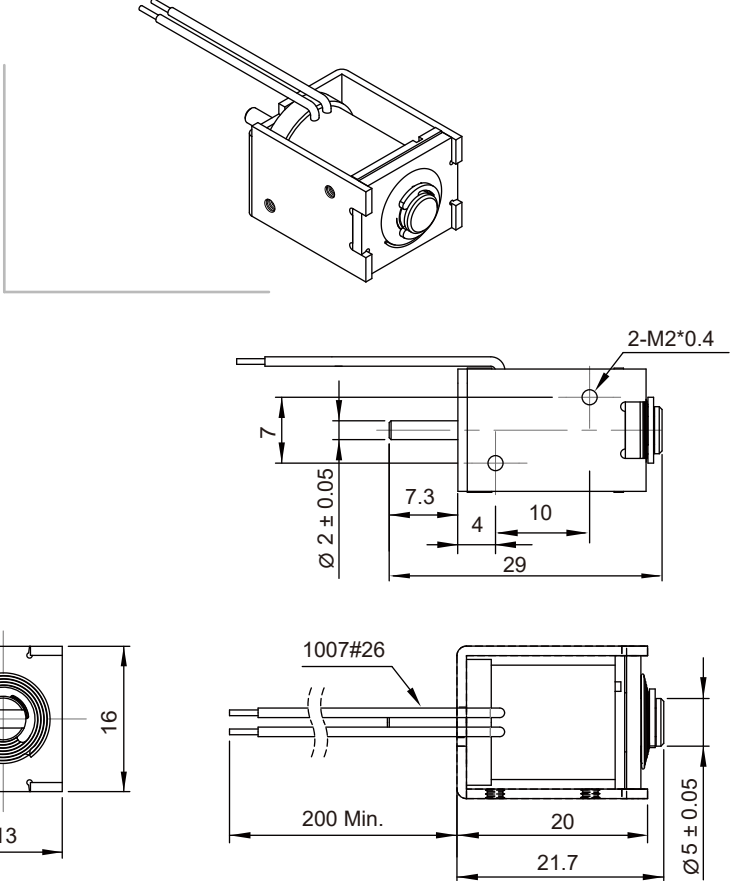
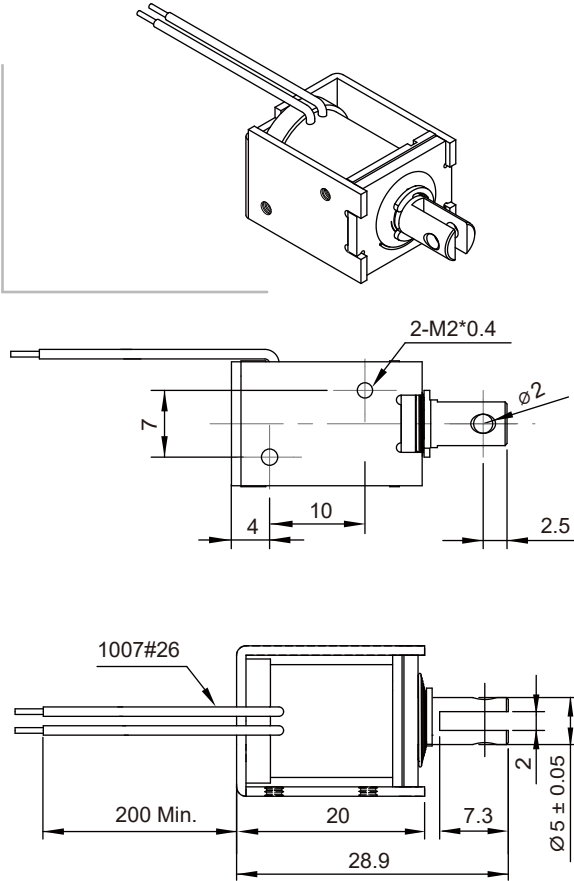


# SH-K0520 Permanent Magnet Solenoid

Unit : mm  
Shown energized

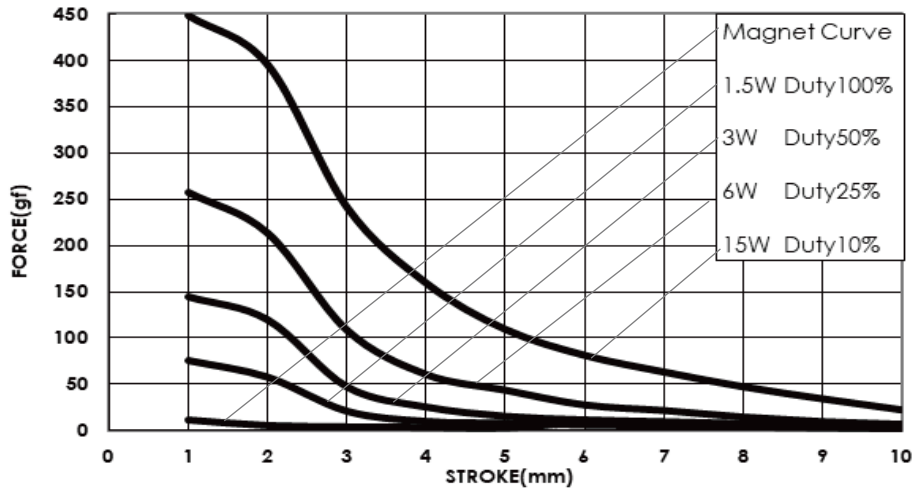
## PULL TYPE

## PUSH TYPE



Total Weight : 20 g

## DATA FORCE



## COIL DATA

Duty cycle(%)	$= \frac{\text{"ON" time}}{\text{"ON" time} + \text{"OFF" time}} \times 100\%$	Continuous (100%)	Intermittent (50%)	Intermittent (25%)	Intermittent (10%)
Watts at 20°C		1.5	3	6	15
MAX. "ON" time in seconds		∞	18	12	4
Type no.	Resistance(20°C)±10%	DC Volts			
SH-K0520S/L-06V	24	4.2	6	8.5	13.4
SH- K0520S/L-12V	96	8.5	12	17	26.8
SH- K0520S/L-24V	384	17	24	34	53.6
SH- K0520S/L-48V	1536	34	48	67.8	107.2