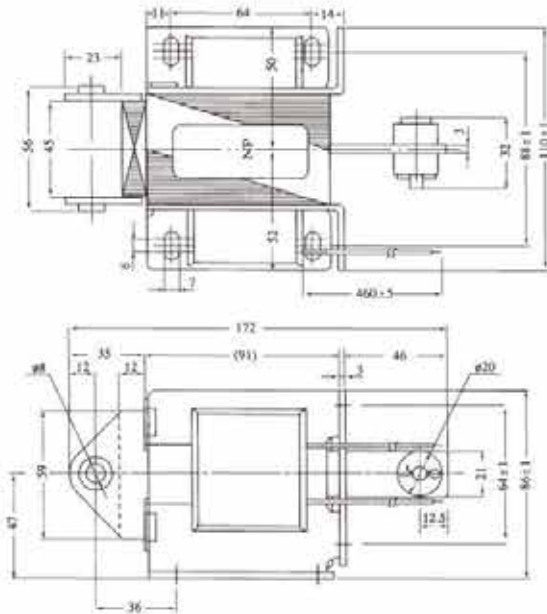
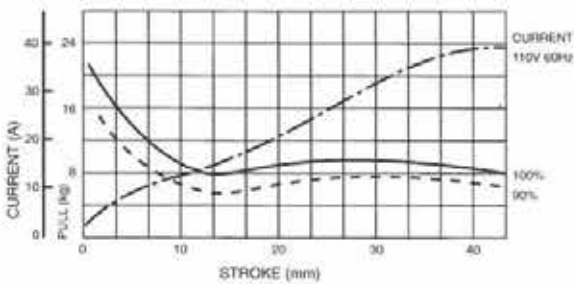




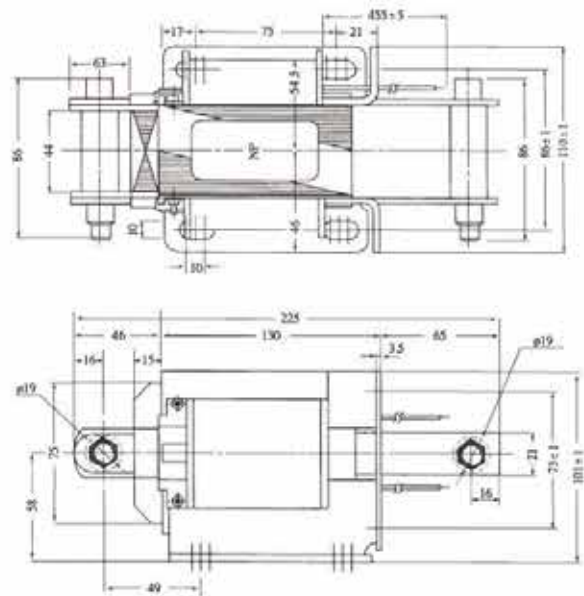
SH-AS45 (TAS-45)



電 壓	流入電流	維持電流	額定拉力/衝程
Voltage (AC)	Inrush Current	Holding Current	Rated Pull Rated Stroke
110V	27.6A	1.8A	8 kg / 30 mm
220V	13.5A	0.9A	



SH-AS50 (TAS-50)



電 壓	流入電流	維持電流	額定拉力/衝程
Voltage (AC)	Inrush Current	Holding Current	Rated Pull Rated Stroke
110V	50.0A	3.2A	10 kg / 40 mm
220V	25.0A	1.6A	

