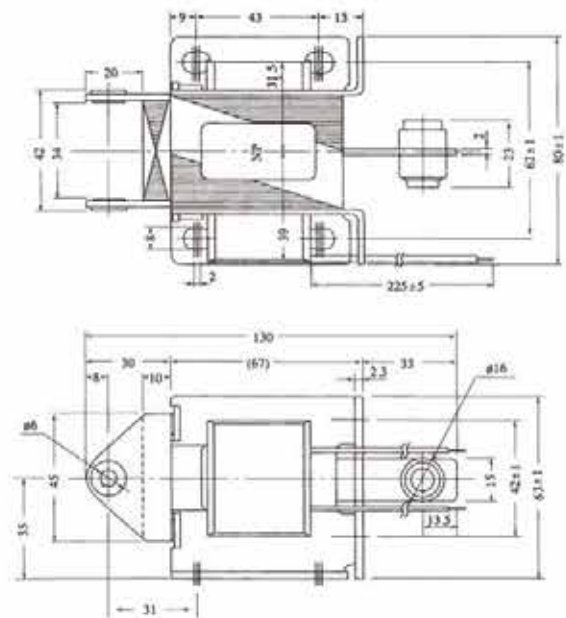
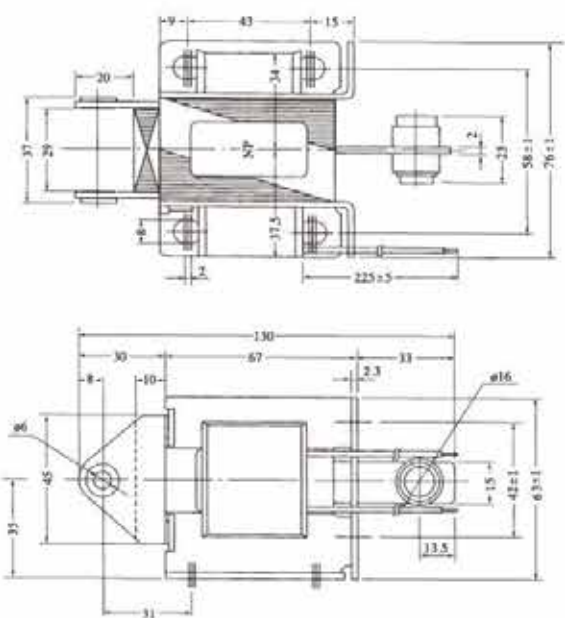




## SH-AS25 (TAS-25)



## SH-AS30 (TAS-30)



電 壓	流入電流	維持電流	額定拉力/衝程
Voltage (AC)	Inrush Current	Holding Current	Rated Pull Rated Stroke
110V	9.0A	0.8A	4 kg / 20 mm
220V	4.5A	0.4A	

電 壓	流入電流	維持電流	額定拉力/衝程
Voltage (AC)	Inrush Current	Holding Current	Rated Pull Rated Stroke
110V	11.0A	0.94A	5 kg / 20 mm
220V	5.5A	0.48A	

