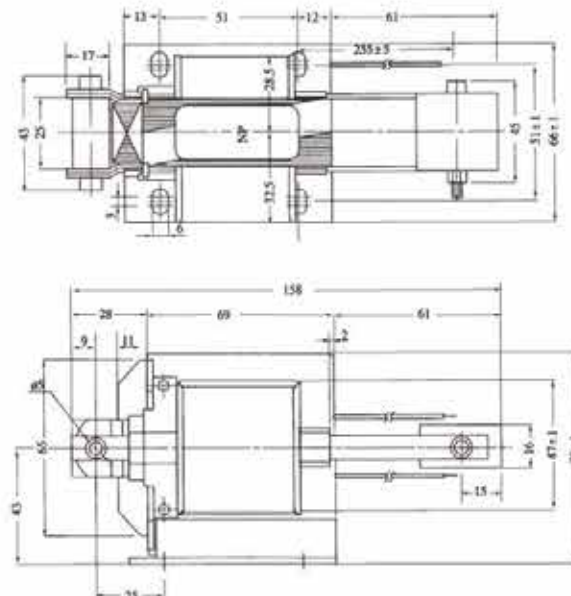
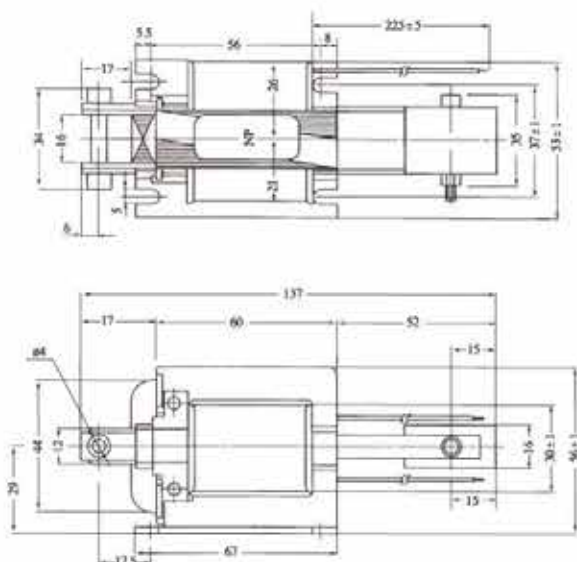
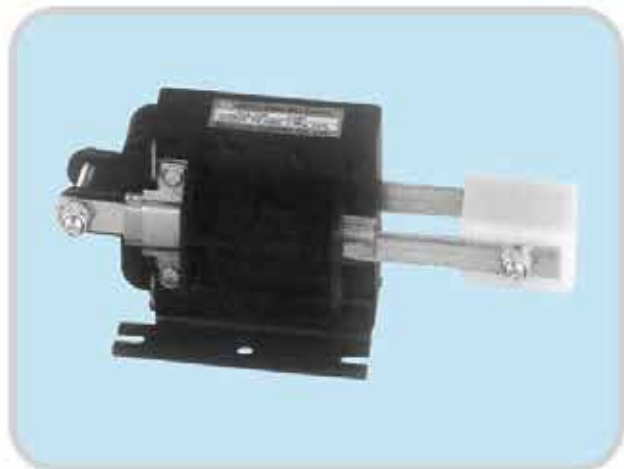




## SH-AS10A (TAS-10A)

## SH-AS20A (TAS-20A)



電 壓	流入電流	維持電流	額定拉力/衝程
Voltage (AC)	Inrush Current	Holding Current	Rated Pull Rated Stroke
110V	4.6A	0.54A	1.5 kg / 20 mm
220V	2.3A	0.27A	

電 壓	流入電流	維持電流	額定拉力/衝程
Voltage (AC)	Inrush Current	Holding Current	Rated Pull Rated Stroke
110V	8.4A	1.0A	3 kg / 30 mm
220V	4.2A	0.5A	

