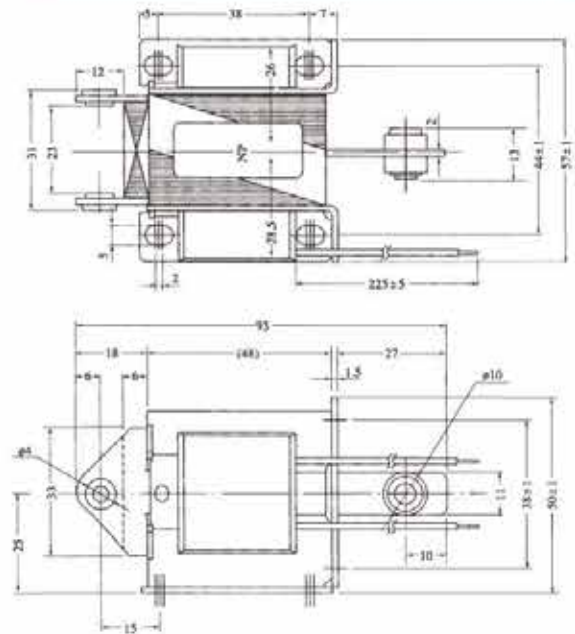
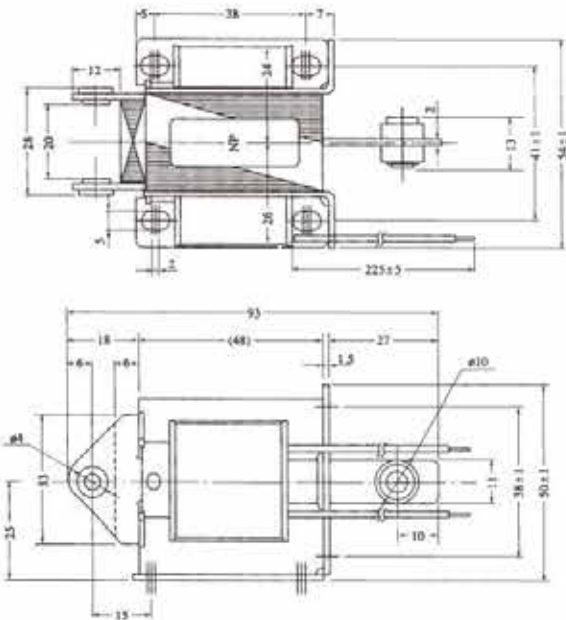




SH-AS10 (TAS-10)

SH-AS15 (TAS-15)



電 壓	流入電流	維持電流	額定拉力/衝程
Voltage (AC)	Inrush Current	Holding Current	Rated Pull / Rated Stroke
110V	3.2A	0.36A	1.5 kg / 15 mm
220V	1.6A	0.18A	

電 壓	流入電流	維持電流	額定拉力/衝程
Voltage (AC)	Inrush Current	Holding Current	Rated Pull / Rated Stroke
110V	4.0A	0.46A	2 kg / 15 mm
220V	2.0A	0.23A	

