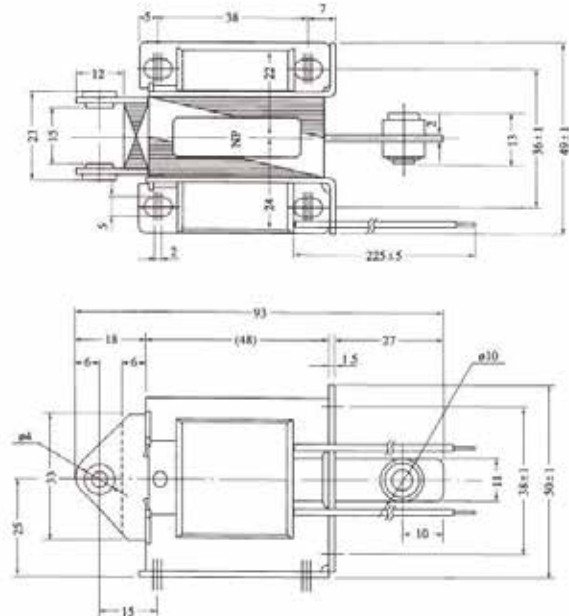
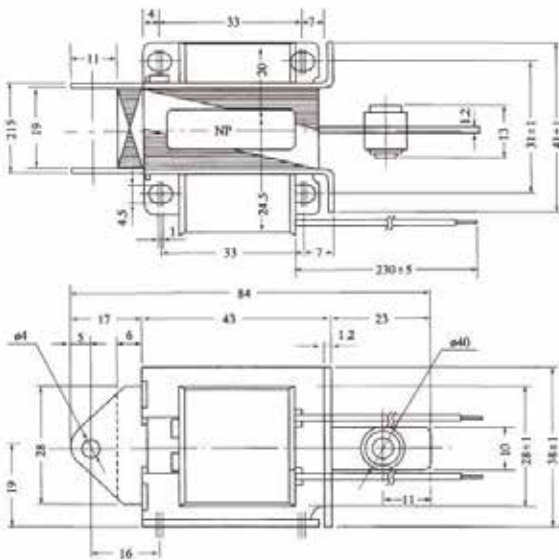




SH-AS08 (TAS-08)



SH-AS5 (TAS-5)



電 壓	流入電流	維持電流	額定拉力/衝程
Voltage (AC)	Inrush Current	Holding Current	Rated Pull Rated Stroke
110V	2.2A	0.22A	0.8 kg / 10 mm
220V	1.1A	0.12A	

電 壓	流入電流	維持電流	額定拉力/衝程
Voltage (AC)	Inrush Current	Holding Current	Rated Pull Rated Stroke
110V	2.6A	0.38A	1 kg / 15 mm
220V	1.3A	0.2A	

