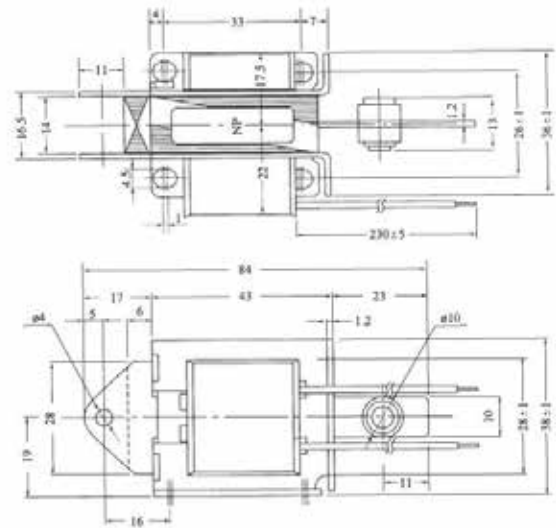
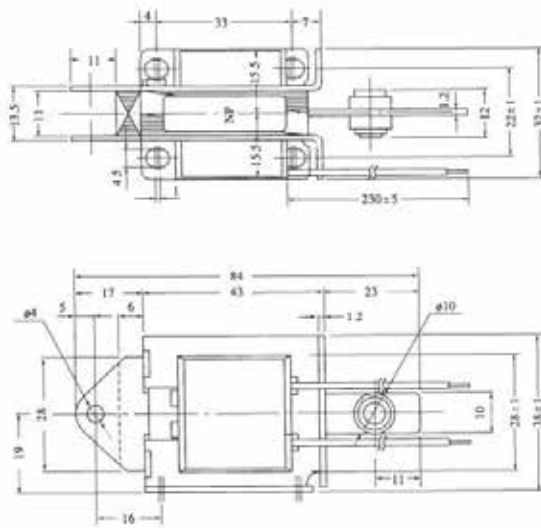




## SH-AS05 (TAS-05)



## SH-AS06 (TAS-06)



電 壓	流入電流	維持電流	額定拉力/衝程
Voltage (AC)	Inrush Current	Holding Current	Rated Pull Rated Stroke
110V	1.1A	0.23A	0.5 kg / 10 mm
220V	0.65A	0.12A	

電 壓	流入電流	維持電流	額定拉力/衝程
Voltage (AC)	Inrush Current	Holding Current	Rated Pull Rated Stroke
110V	1.2A	0.25A	0.6 kg / 10 mm
220V	0.7A	0.13A	

