

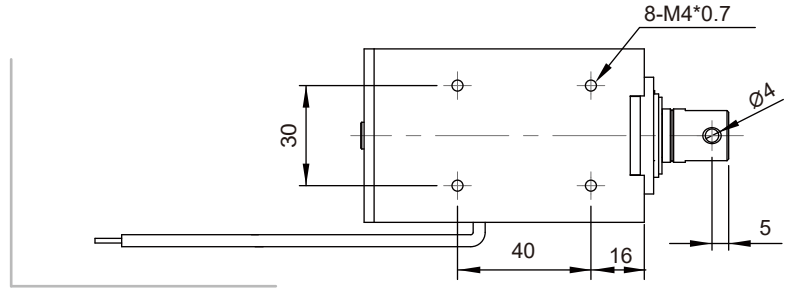
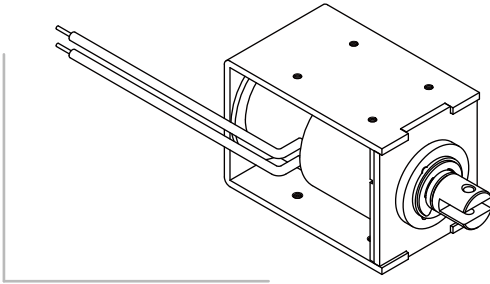


SH-1683

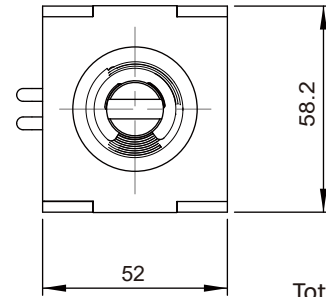
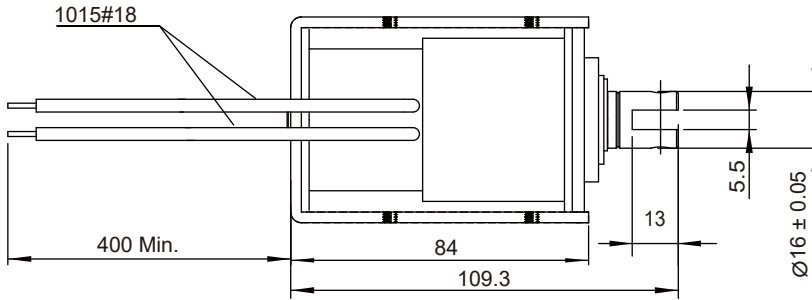
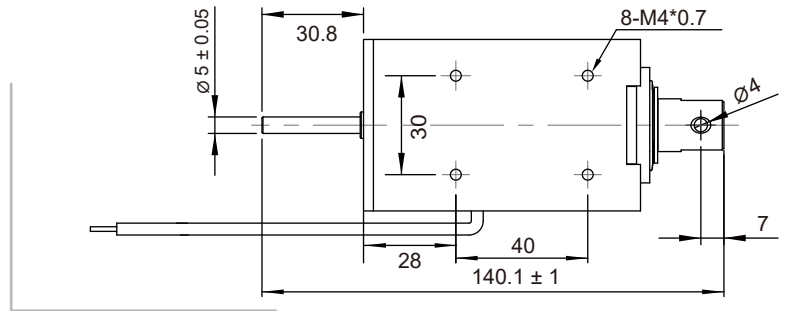
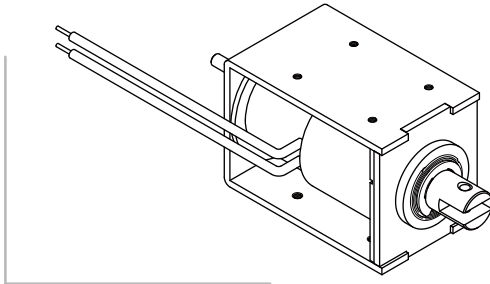
Open Frame Solenoid

Unit : mm
Shown energized

PULL TYPE

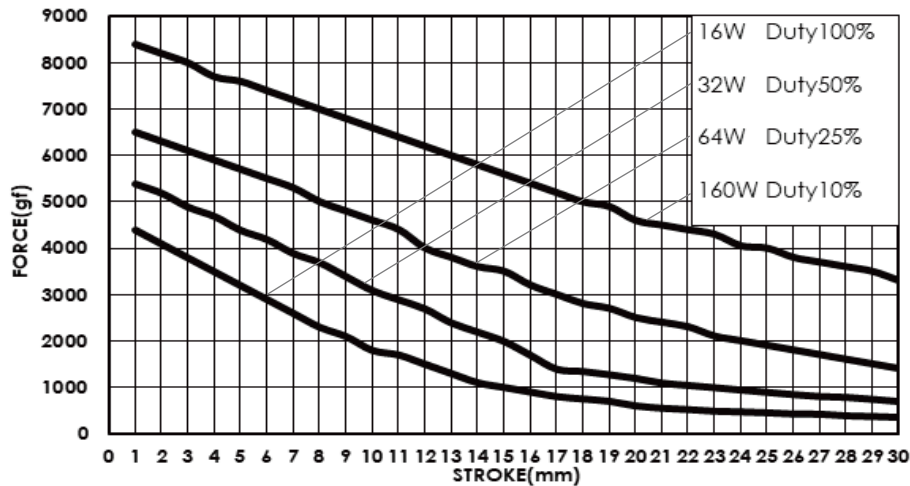


PUSH TYPE



Total Weight : 1090 g

DATA FORCE



COIL DATA

Duty cycle(%)	$= \frac{\text{"ON" time}}{\text{"ON" time} + \text{"OFF" time}} \times 100\%$	Continuous (100%)	Intermittent (50%)	Intermittent (25%)	Intermittent (10%)
Watts at 20°C		16	32	64	160
MAX. "ON" time in seconds		∞	250	120	40
Type no.	Resistance(20°C)±10%	DC Volts			
SH-1683S/L-06V	2.3	6	8.5	12	19
SH-1683S/L-12V	9	12	17	24	38
SH-1683S/L-24V	36	24	34	48	76
SH-1683S/L-48V	144	48	68	96	152