

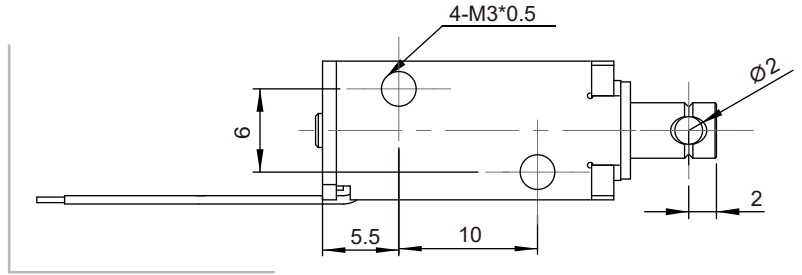
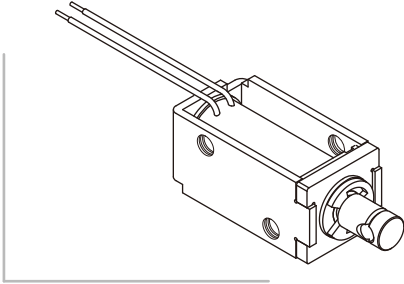


SH-0421

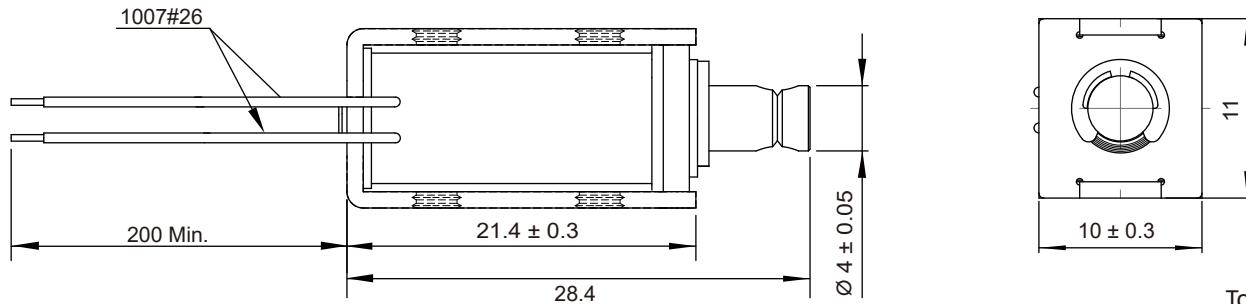
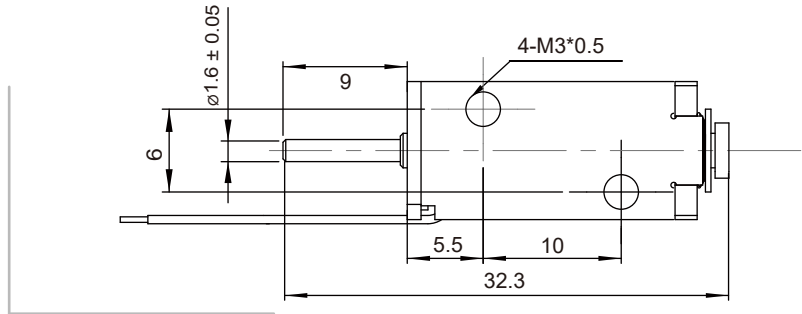
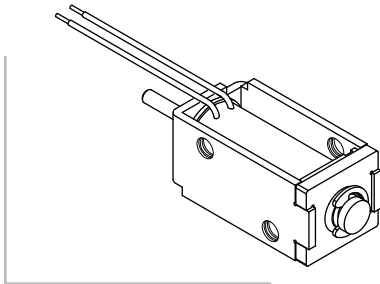
Open Frame Solenoid

Unit : mm
Shown energized

PULL TYPE

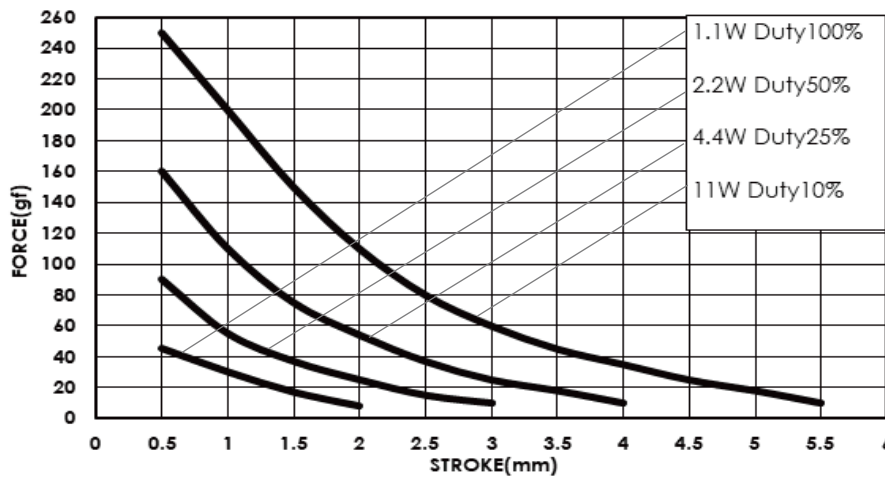


PUSH TYPE



Total Weight : 10 g

DATA FORCE



COIL DATA

Duty cycle(%)	$= \frac{\text{"ON" time}}{\text{"ON" time} + \text{"OFF" time}} \times 100\%$	Continuous (100%)	Intermittent (50%)	Intermittent (25%)	Intermittent (10%)
Watts at 20°C		1.1	2.2	4.4	11
MAX. "ON" time in seconds		∞	50	18	2
Type no.	Resistance(20°C)±10%	DC Volts			
SH-0421S/L-03V	8.2	3	4.2	6	9.5
SH-0421S/L-06V	33	6	8.5	12	19
SH-0421S/L-12V	130	12	17	24	38
SH-0421S/L-24V	520	24	34	48	76