

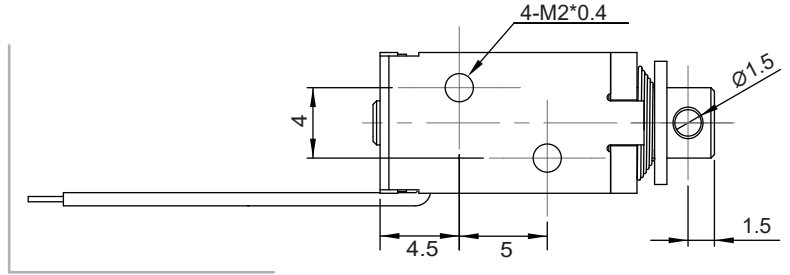
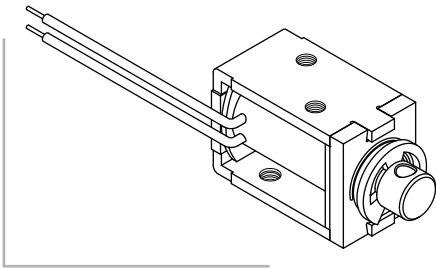


# SH-0415

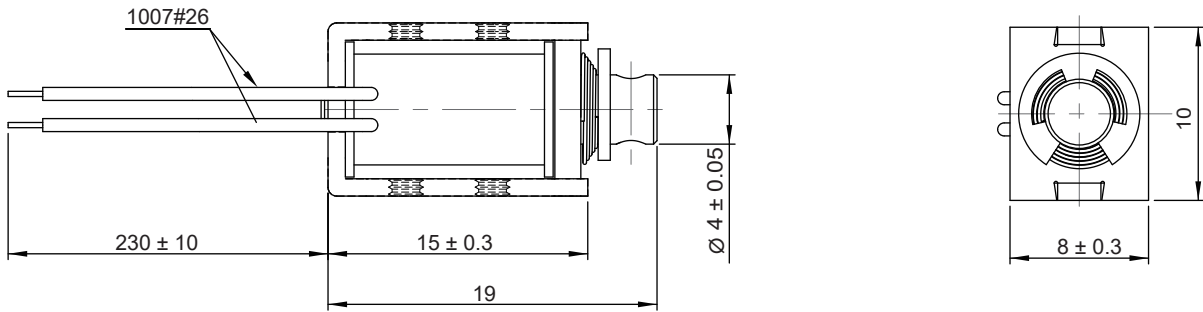
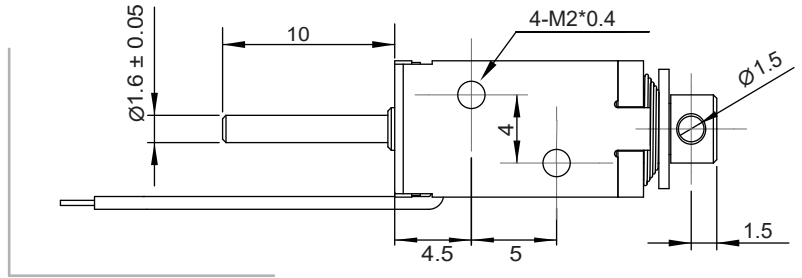
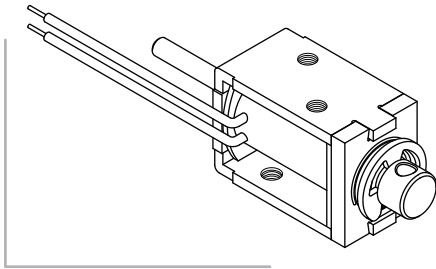
# Open Frame Solenoid

Unit : mm  
Shown energized

## PULL TYPE

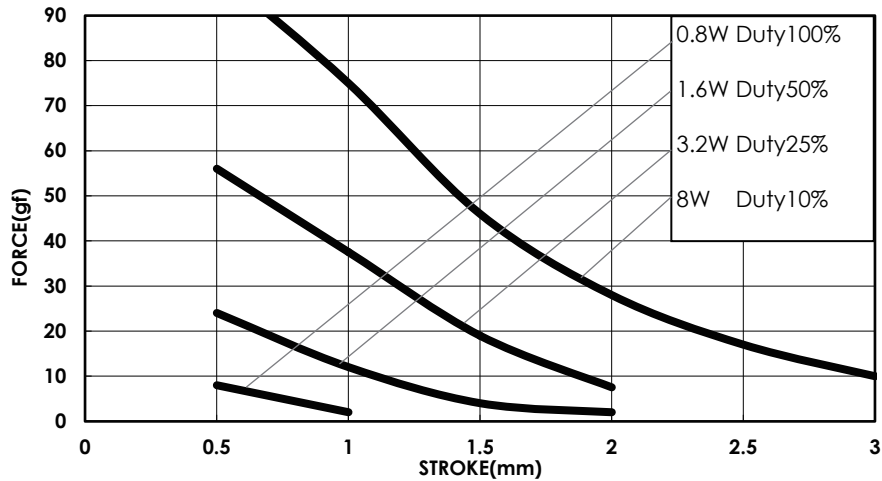


## PUSH TYPE



Total Weight : 5.4 g

## DATA FORCE



## COIL DATA

Duty cycle(%) = $\frac{\text{"ON" time}}{\text{"ON" time} + \text{"OFF" time}} \times 100\%$		Continuous (100%)	Intermittent (50%)	Intermittent (25%)	Intermittent (10%)
Watts at 20°C		0.8	1.6	3.2	8
MAX. "ON" time in seconds		∞	50	18	3
Type no.	Resistance(20°C)±10%	DC Volts			
SH-0415S/L-03V	11.2	3	4.2	6	9.5
SH-0415S/L-06V	45	6	8.5	12	19
SH-0415S/L-12V	180	12	17	24	38
SH-0415S/L-24V	720	24	34	48	76